

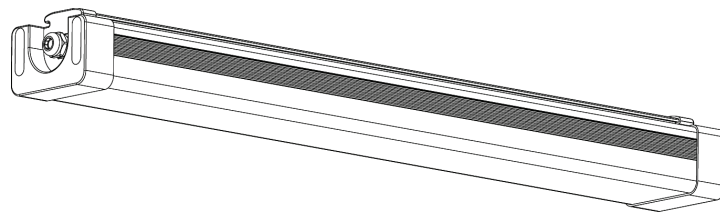
IMPORTANT SAFEGUARDS

READ AND FOLLOW ALL SAFETY INSTRUCTIONS.

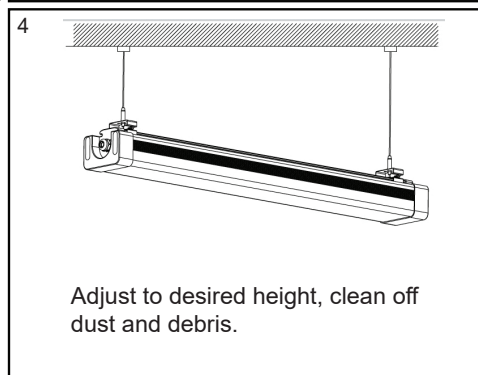
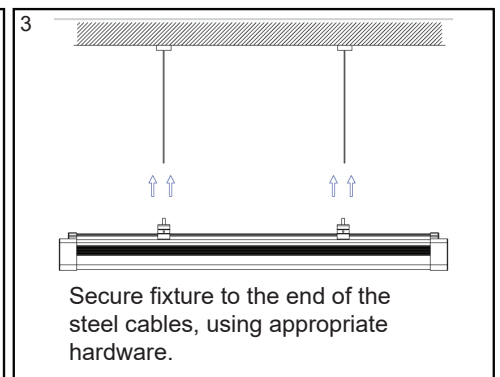
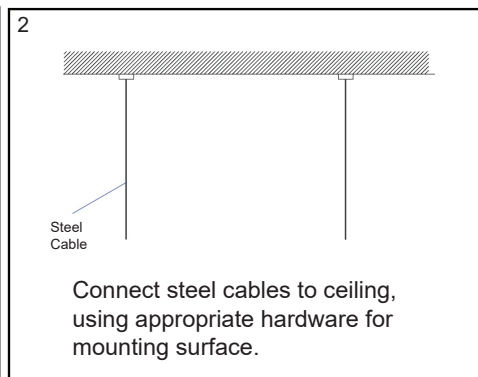
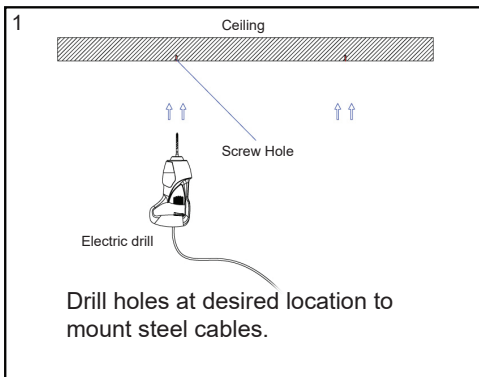
When using electrical equipment, basic safety precautions should always be followed including the following:

- **DISCONNECT AC POWER SUPPLY BEFORE SERVICING.**
- Installation and servicing of this equipment should be performed by qualified service personnel only.
- Ensure the electricity connections conform to the National Electrical Code and local regulations if applicable.
- Do not mount near gas or electrical heaters.
- Equipment should be mounted in locations and at heights where it will not readily be subjected to tampering by unauthorized personnel.
- The use of accessory equipment not recommended by the manufacturer may cause an unsafe condition. Any modification or use of non-original components will void the warranty and product liability.
- Do not use this equipment for other than intended use.

SAVE THESE INSTRUCTIONS!



INSTALLATION INSTRUCTIONS CABLE MOUNTED



CEILING MOUNTED

1

Drill holes at desired location to mount steel cables.

2

Fasten clips to the ceiling tightly, using appropriate hardware for mounting surface.

3

Install fixture to clips.

4

Adjust position of fixture if needed, clean off dust and debris.

ELECTRICAL CONNECTIONS

1. Connect power cord to 120VAC outlet.