

IMPORTANT SAFEGUARDS READ CAREFULLY AND FOLLOW ALL SAFETY INSTRUCTIONS.

When using electrical equipment, basic safety precautions should always be followed including the following:

- DISCONNECT AC POWER SUPPLY BEFORE SERVICING.
- Installation and servicing of this equipment should be performed by qualified service personnel only.
- Do not mount near gas or electrical heaters.
- Equipment should be mounted in locations and at heights where it will not be readily subjected to tampering by unauthorized personnel.
- The use of accessory equipment not recommended by the manufacturer may cause an unsafe condition.
- Any modification or use of non-original components will void the warranty and product liability.
- Do not use this equipment for other than intended use.
- Protect fixture from direct contact with all liquids to avoid breakage and/or thermal shock.
- Do not exceed maximum fixture wattage of 315W.
- Do not turn lamp on until fixture and ballast are properly installed.
- Make sure fixture is adequately supported (fixture weight 21lbs)
- Allow lamp to cool before handling.
- Do not use excessive force when installing lamps in fixture.
- Dispose all lamps in a proper rated container.
- Wear safety glasses and gloves when installing lamps.
- Under normal operating conditions, fixture may become hot.
- Keep fixture away from all flammable material.
- Do not mount fixture directly touching and surface.
- Do not pull the cord to unplug the fixture, pull on the plug only.
- Do no lift fixture by the cord.
- Always wear protective eye wear around the fixture. Looking directly into fixture may be harmful to your eyes.
- Replace removable parts after servicing.
- Ensure the electrical connections conform to the National Electrical Code and local regulations if applicable.
- THIS PRODUCT MUST BE INSTALLED IN ACCORDANCE WITH THE APPLICABLE INSTALLATION CODE BY A PERSON FAMILIAR WITH THE CONSTRUCTION AND OPERATION OF THE PRODUCT AND THE HAZARDS INVOLVED.

SAVE THESE INSTRUCTIONS!

BOX CONTENTS:

- (1) pc GLH-OG-315-E reflector
- (1) pc Hanger pack

IN ORDER TO MAINTAIN A SAFE INSTALLATION:

Ensure a 6" minimum mounting clearance on all sides.

Mechanical ventilation or cooling system is required. It shall maintain the ambient temperature of the growing space below 95°F/35°C when the fixture is in operation.

Use ballast and lamp combinations where the ratings and the maximum wattage does not exceed 315W and the lamp types are either ceramic metal halide, metal halide or high pressure sodium.

Keep protective barrier in place. Keep lamp cord away from housing.

CAUTION - To avoid UV exposure risk, use ANSI Type ("O") lamps only. Do not install a lamp that requires UV filtering.

Lamp/Re-Lamp Requirements

WATTAGE	ANSI
315	C182/0

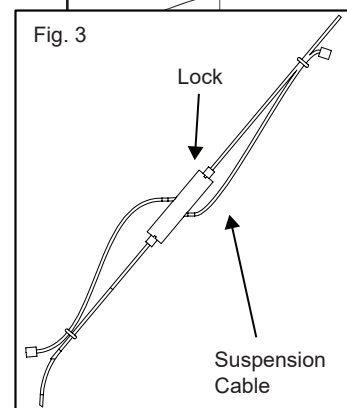
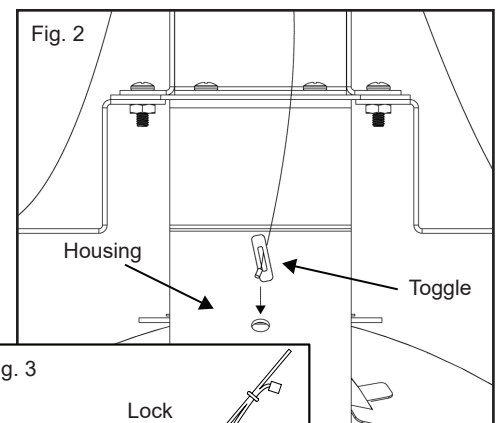
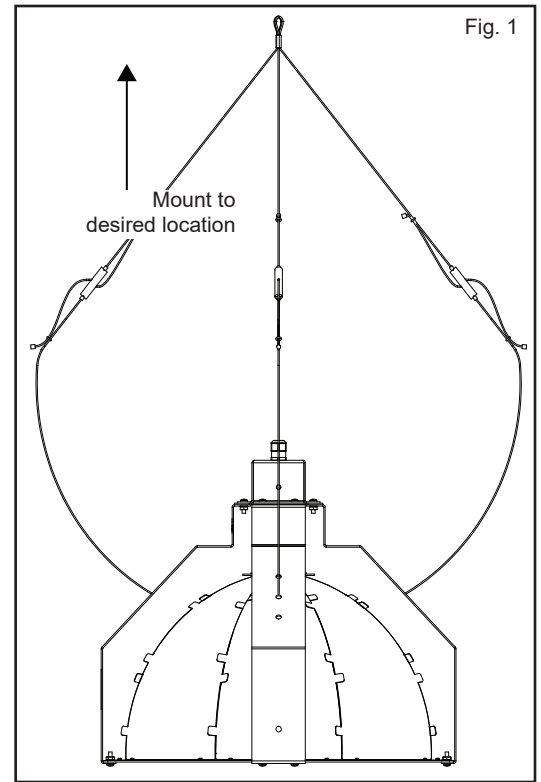
Suitable for damp locations.

WARNING - POSSIBLE RISK OF INJURY TO EYES AND SKIN

- Hazardous optical radiation may be emitted from the light source. Do not stare at operating lamp. May be harmful to eyes.
- UV may be emitted from the light source. Eye or skin irritation may result from exposure. Use appropriate shielding.
- IR may be emitted from the light source. Do not stare at operating lamp.

To install with hanging cables

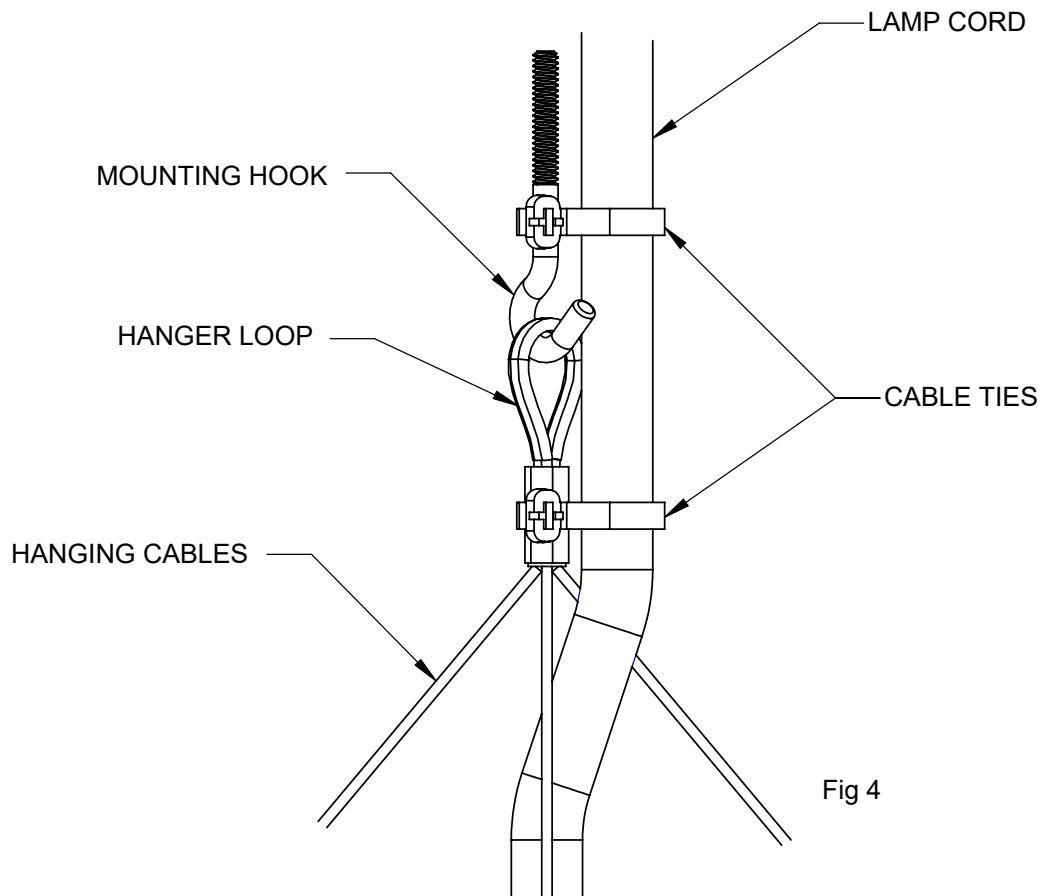
1. Mount suspension cables to desired location. Fig. 1
2. Attached separate cross cables to the fixture by feeding toggles through holes in housing. Fig. 2
3. Feed other end of suspension cable through top of the gripper lock and adjust the cable length by sliding the lock lever down and pulling cable through. Fig. 3
4. Release the lock lever to lock into position. Fig. 3
5. Install remote ballast in suitable location and connect to reflector assembly using supplied cord.



Cords:

- 1) Are not concealed or extended through a wall, floor, ceiling, or other parts of the building structure,
- 2) Are not located above a suspended ceiling or dropped ceiling,
- 3) Are not permanently affixed to the building structure,
- 4) Are routed so that they are not subject to strain and are protected from physical damage,
- 5) Are visible over their entire length, and
- 6) Are used within their rated ampacity as determined for the maximum temperature of the installed environment specified in the instructions.

Sway Reduction Option:



Note: Due to the light weight of this fixture airflow from fans may cause them to move or swing. To reduce this effect we recommend directing the airflow from the fans below the fixture. If undesirable movement of the fixture is still observed we suggest attaching cable ties as shown in figure 4