

IMPORTANT SAFEGUARDS

READ AND FOLLOW ALL SAFETY INSTRUCTIONS.

When using electrical equipment, basic safety precautions should always be followed including the following:

- **DISCONNECT AC POWER SUPPLY BEFORE SERVICING.**
- Installation and servicing of this equipment should be performed by qualified service personnel only.
- Ensure that the electrical wiring conforms to the National Electrical Code NEC® and local regulations if applicable.
- Do not mount near gas or electrical heaters.
- Equipment should be mounted in locations and at heights where it will not be readily subjected to tampering by unauthorized personnel.
- The use of accessory equipment not recommended by the manufacturer may cause an unsafe condition.
- Any modification or use of non-original components will void the warranty and product liability.
- Do not use this equipment for other than intended use.
- Do not exceed the maximum voltage of 277V.
- Under normal operating conditions, may become hot.
- Keep fixture away from all flammable material.

SAVE THESE INSTRUCTIONS!

Technical Support ■ (623) 580-8943 ■ technicalsupport@barronltg.com

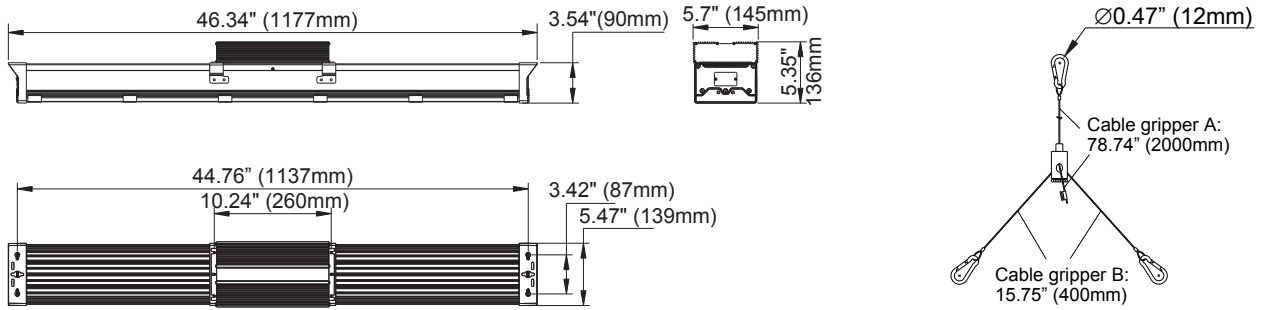
Specifications

Typical Operating Voltage		100-277VAC	
Typical Power Consumption		600 Watts	
Operating Frequency		50/60Hz	
Power Factor		>0.99	
Operating Temperature		0° to +40°C	
Dimensions (L*W* H)		46.3"x5.7"x5.4"	
Net Weight (Driver Included)		11.6kg/25.6lbs	
<p>*Specifications based on performance at 120VAC with tested sample.</p> <p>Subject to change without notice, tolerance at ±5%</p>			

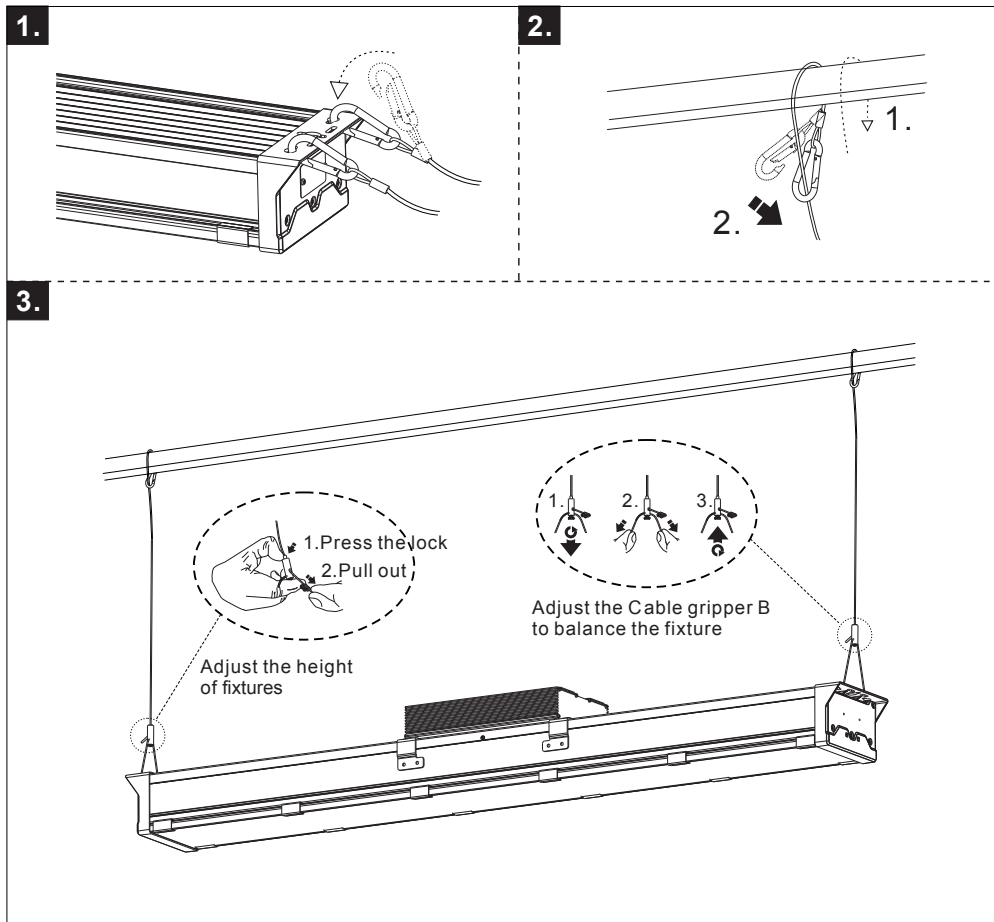
Mounting

Prepare fixture for desired mounting method. Follow the steps outlined in **Wire Suspension Mount**.

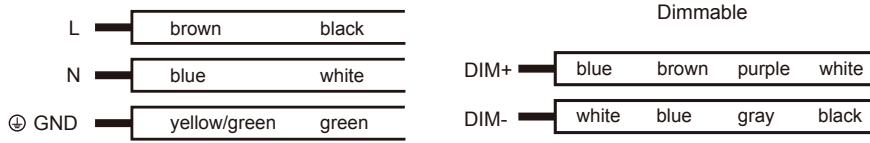
Physical Dimensions (inch/mm)



Wire Suspension Mount



Wiring Diagram



Troubleshooting

Problem	Possible Cause	Solutions
LEDs stop working	The power line is improperly connected.	Reconnect the power cable.
	The power plug is loose.	Firmly plug the power in.
	The LED driver malfunctions.	Replace with new driver.
	The LED chip is damaged.	Replace with new LEDs.
LEDs flash on and off	The output of the driver is abnormal.	Replace with new driver.
	The LED chip breaks down.	Replace with new LED chip.