

GLE-S Series

Soft Green LED Exit for Horticulture Applications

The GLE-S Green Exit Series is specifically designed to provide plant-safe soft green egress lighting for horticultural applications. The plant-safe, green light provides a safe means of egress while not adversely affecting plant growth during dark cycles. The GLE-S Series is the brightest, most visible sign in the industry in both normal and smoke filled environments.

FEATURES

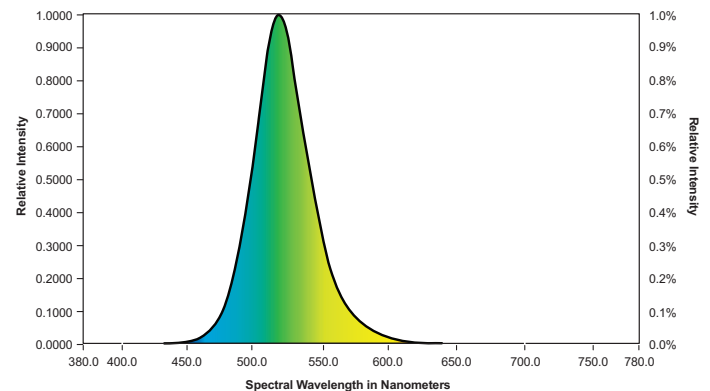
- UL 924 Listed 90 minute emergency run time, 24 hour recharge time
- Enclosure constructed of rugged 20 gauge steel
- Solid 1/8" thick, vandal-resistant, polycarbonate lens
- Low voltage disconnect eliminates deep discharge
- Brownout, short circuit and voltage surge protection
- Overcharge protection
- Maintenance-free NiMH (standard) and Lead Calcium (G1) batteries
- Combination exit/emergency light option available (EL2)
- Fixture operating temperatures: 20°C to 30°C (68°F to 86°F)
- Ceiling, end or wall mount
- Constant, uniform illumination by long-life, high-intensity, soft green, plant-safe, LEDs
- Optional Guardian Self-diagnostics (G1) available
- Field-selectable directional chevrons
- 120/277VAC Dual primary, 50/60Hz input
- Assembled in the USA with global components
- Standard finish: Black

WARRANTY

Any component that fails due to manufacturing defect is guaranteed for 25 years with a separate five year prorated warranty on the battery. The warranty does not cover physical damage, abuse or instances of uncontrollable natural forces. See the full Growlite warranty document for detailed information.

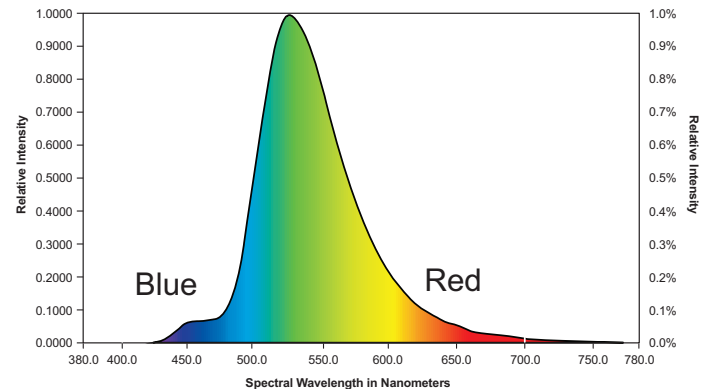


GROWLITE'S SOFT GREEN LED SPECTRUM



COMPETITORS' GREEN SPECTRUM

Exposure to blue and red spectrum during a dark cycle can harm the growth of the plant.



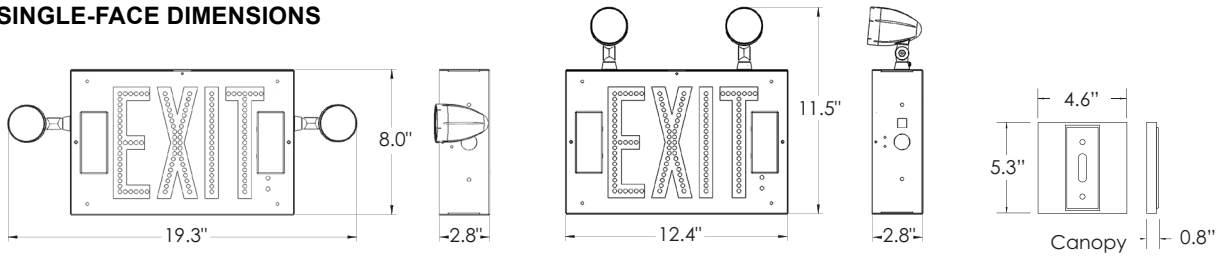
ORDERING INFORMATION

Example: GLE-S1-WB-BL

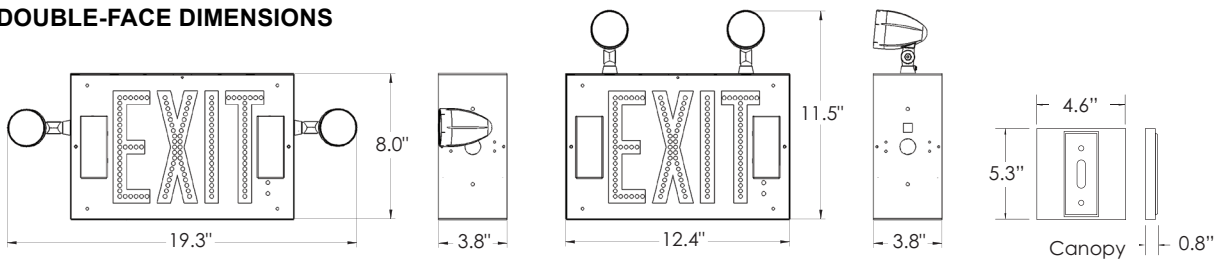
Series/Configuration	Power Source	Finish	Options (Factory Installed)
GLE-S1 = Single-face	LB ¹ = AC Only	BL = Black Housing, Black Face/	EL0 ^{4,5,6} = Remote capacity for use DR ⁴ = Damp Location Rated
GLE-S2 = Double-face	WB = NiMH Battery (std)	Green Letters	with up to (2) GREN3BL-XX G1 ² = Self-diagnostics
	2CI1 ¹ = 2 Circuit Input 120/120V		soft green LED lamps TRH ³ = Tamper Resistant Hardware
	2CI7 ¹ = 2 Circuit Input 277/277V		EL2 ^{4,5} = (2) 1.6W PAR16
	2CI17 ¹ = 2 Circuit Input 120/277V		soft green LED Lamps Included

Notes	Accessories ⁷ (Field Installed)
¹ Not available with G1 (Self-diagnostics)	ER1-KIT = 1' Pendant Mount Kit
² Only available with power source "WB" utilizing a lead calcium battery	ER2-KIT = 2' Pendant Mount Kit
³ Must order Tamper Tool (TRHT-6H-8H) as separate line item	GREN3BL-MP - (1) 1.6W soft green LED Lamp Head, Black Finish, Single Mounting Plate
⁴ Option not UL Listed	GREN3BL-MP2 - (2) 1.6W soft green LED Lamp Heads, Black Finish, (1) Double Head Mounting Plate
⁵ Only available with WB (lead calcium battery) and G1 (self-diagnostics)	TRHT-6H-8H = Tamper Tool
⁶ Must order (2) GREN3BL as Accessories	WG-1 = Wire Guard (Back Mount)
⁷ Order as separate line item. Shipped in a separate box for installation in the field	WG-2 = Wire Guard (End Mount)
	WG-3 = Wire Guard (Ceiling Mount)
	WG-6 = Wire Guard For Combo (Back Mount)
	XG-1 = Poly Guard (Back Mount)
	XG-3 = Poly Guard (Ceiling Mount)
	XG-6 = Poly Guard For Combo (Back Mount)

SINGLE-FACE DIMENSIONS



DOUBLE-FACE DIMENSIONS



WEIGHTS

Model	Unit	Packaged Weight
GLE-S1-LB-BL	4.6 lbs	5.8 lbs
GLE-S1-WB-BL	5.2 lbs	6.3 lbs
GLE-S1-WB-BL-G1	5.9 lbs	7.2 lbs
GLE-S1-WB-BL-EL2-G1	6.2 lbs	7.5 lbs
GLE-S2-WB-BL-EL2-G1	6.2 lbs	7.5 lbs
GLE-S2-LB-BL	6 lbs	7.1 lbs
GLE-S2-WB-BL	6.6 lbs	7.7 lbs
GLE-S2-WB-BL-G1	7.3 lbs	8.9 lbs
GLE-S2-WB-BL-EL2-G1	7.6 lbs	9.3 lbs

Specifications are subject to change without notice. Installation must be performed in accordance with Barron Lighting Group installation instructions.

10790046 Rev 10

2 of 3

CONSTRUCTION

Our specification grade GLE-S series enclosure, faceplate, and mounting canopy are 20 gauge galvanized steel with powder coat paint. Faceplate has 3/4" green letters with soft green LEDs. 1/8" Polycarbonate shield protects LEDs from impact.

ILLUMINATION

Illumination of the GLE-S series is accomplished utilizing high-intensity, long-life LEDs exceeding UL 924 requirements for brightness and uniformity. LEDs provide excellent, even illumination while maximizing energy efficiency. LEDs are a maintenance-free solution, providing up to 100,000 hours of use without failure.

ELECTRICAL

Input

Dual-voltage input 120 or 277VAC @ 50/60Hz.

Nickel-Metal Hydride - NiMH (Standard)

Growlite batteries are maintenance-free and perform optimally in temperatures ranging from 20°C to 30°C (68°F to 86°F).

Lead Calcium Battery (G1 option)

Growlite batteries are maintenance-free and perform optimally in temperatures ranging from 20°C to 30°C (68°F to 86°F).

Brownout Circuit

Brownout circuit monitors the line voltage, as the line voltage sags and can no longer illuminate the exit sign to meet UL 924 visibility test, the emergency circuit will turn on to supply a portion or all the power to illuminate the sign for a minimum of 90 minutes until the line voltage is restored.

Low Voltage Disconnect

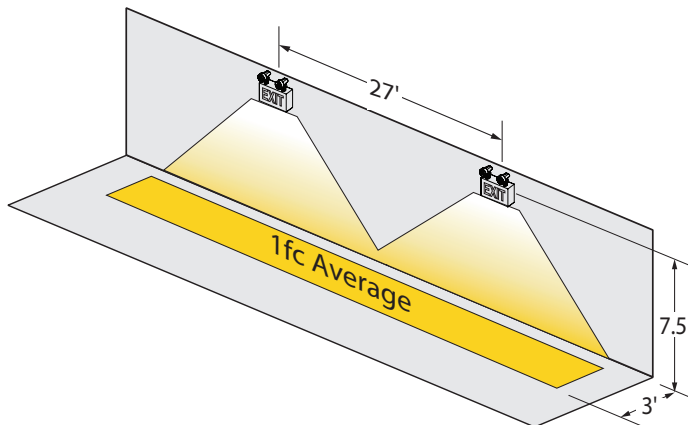
Low Voltage Disconnect (LVD) measures the battery terminal voltage. The LVD continuously monitors the battery terminal voltage and if it should fall below a preset voltage threshold, the LVD will disconnect the load. When the battery is recharging and voltage is raised above another preset voltage threshold, the load is automatically reconnected.

Solid-State Transfer

The circuit features solid-state switching for emergency lamps, eliminating concerns of damaged contact or mechanical failures associated with relays. The switching circuit detects a loss of line voltage and automatically switches to emergency mode.

SAMPLE PHOTOMETRICS

Using multiple GLE-S1-WB-BL-EL2-G1 units mounted at a typical 7.5 foot height delivers 27 foot on center spacing with a 3 foot wide path of egress.



Test Button

The test button is easy to locate and provides manual verification of the transfer circuit and emergency lamps.

INSTALLATION

Installs in minutes with easy-to-read instructions and detailed diagrams. No special hardware or tools necessary. Internally housed components and battery eliminate the use of a canopy when wall mounting single faced exits. Mounting canopy included.

ASSEMBLED IN THE USA WITH GLOBAL COMPONENTS

Assembled in the USA and is in full compliance with Buy American Act (BAA) provisions.

OPTIONS

Damp Location Rated (Option: DR)

Damp Location Rated fixture that is normally or periodically subject to condensation of moisture in, on or adjacent to, and includes partially protected locations.

Emergency Lights

(Options: EL2, EL0 with GREN3BL-XX accessory)

EL2: Emergency exit light provided with (2) GREN3BL lamps (no mounting plates) for field-selectable top or side mounting. **EL0:** GLE-S exit includes a larger battery to allow for extended run times or externally mounted remote lamp heads. For use with **GREN3BL-XX accessory**. Both options are not UL listed.

Guardian Self-Diagnostics (Option: G1)

The Guardian circuit continuously monitors the operating condition of the battery charging circuit and battery supply voltage. The purpose of this option is to provide visual signaling in response to a fault at the EXIT sign battery and/or battery charger. If a failure is detected, visual status will occur immediately via the CHARGER LED and/or the BATTERY FAULT LED. The LEDs will remain in this state until the fault is corrected.

CONFORMANCE TO CODES & STANDARDS

The GLE-S Series is UL 924 Listed and meets or exceeds the NEC requirements as well as NFPA 101.

SAMPLE PHOTOMETRICS

Using multiple GLE-S1-WB-BL-EL2-G1 units mounted at a typical 7.5 foot height delivers 21 foot on center spacing with a 6 foot wide path of egress.

